

**MID BOYD
RSD**



**ROCKLABS
MID BOYD
RSD**



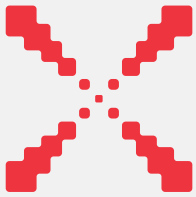
Big inputs and accurate outputs for seriously reliable results.

The Rocklabs Mid Boyd RSD is the world's first double-acting fine jaw crusher, employing jaws that can hold up to 5kg of sample and crush a 100mm sample to 2mm in a single pass.

Featuring top and bottom moving jaws, the design of the Rocklabs Mid Boyd delivers the maximum amount of crushing, reducing samples by 50 times the original size. Characterised by ease of maintenance and cleaning and equipped with stringent safety mechanisms as standard, the Mid Boyd reduces the time and cost associated with the crushing process.

Benefits:

- Input Size - up to 5kgs of sample
- Low Maintenance
- Minimal Down Time
- Improved Dust & Chip Control
- Health & Safety Improvements
- High Chrome Iron wear plates resistant to abrasion



Electrical

Voltage VAC	Phases	Frequency Hz	Current A	Power kW
208-240	3 Phase 4 wire	60	23	6.5
380-415	3 Phase 4 wire	50/60	19	6.5
440-480	3 Phase 4 wire	60	19	6.5

Dust Extraction

	Minimum	Maximum
Flow Rate	6.97m ³ /min (245 foot ³ /min)	7.97m ³ /min (280 foot ³ /min)

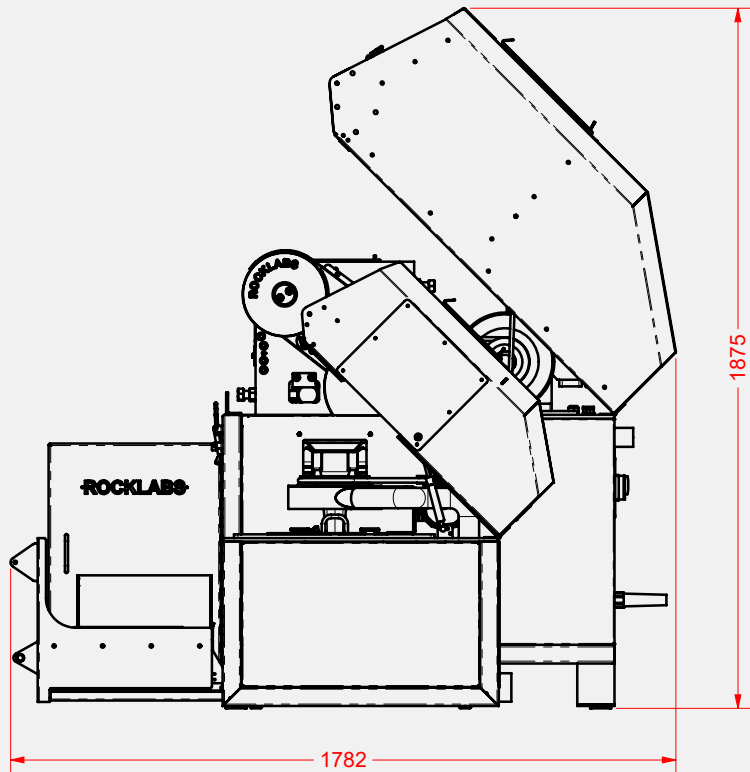
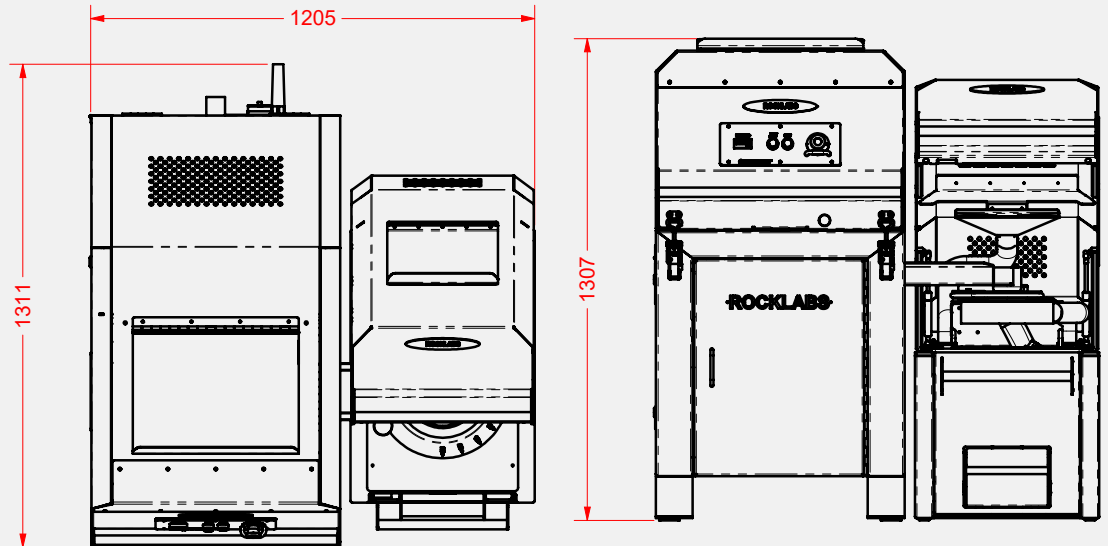
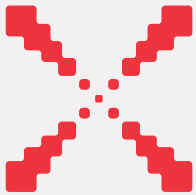


	Mid Boyd	Environmental Limitations		
		Minimum	Maximum	
Input Size	100mm	Temperature	0°C	45°C
Output	2mm	Humidity	5%	95%
Jaw Width	300mm	Altitude	0m	2000m
Capacity	5kg			



	Product	Shipping
Height	1307mm	1520mm
Width	1198mm	1330mm
Depth	1274mm	1330mm
Weight	741kg	935kg

**ROCKLABS
MID BOYD
RSD**



Powered by Scott for worldwide support.

The Boyd Mid crusher comes with a 3000-hour or 18-month warranty (whichever comes first). All maintenance and servicing is all backed by international technology and automation company, Scott, for worldwide support.